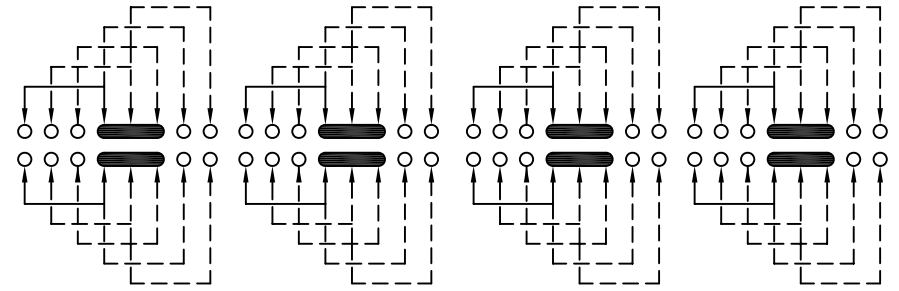
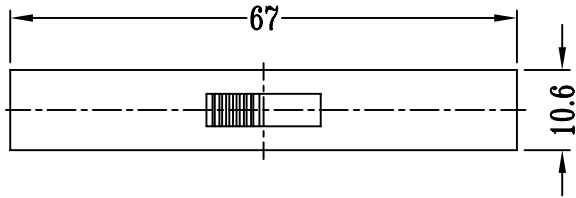
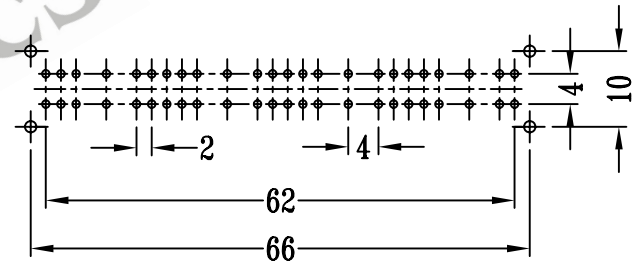
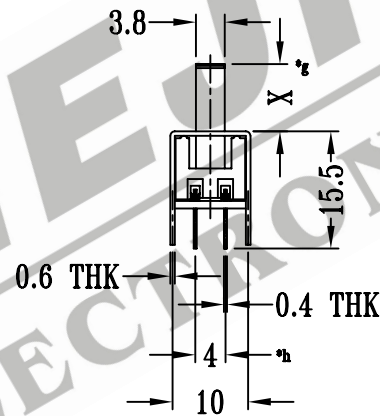
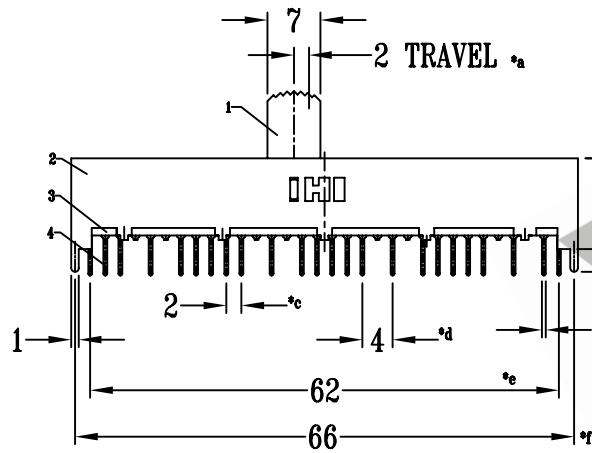


CAD FILE:



SCHMATIC (SHORTING)



P.C.B LAYOUT

注:带"*"表示关键尺寸(8个)

NO.	PARTS	MATERIALS	QTY	FINISH	TOLERANCE UNLESS SPECIFIED	SHENZHEN XIEJIA ELECTRONICS CO.,LTD.						
8						ISSUE		DATE		DESCRIPTIONS OF REVISION		APPD
7	STEEL BALL	STEEL	2	WASHING								
6	SPRING	SUS304 WPB	1	TEMPER	WITHIN: 1.5±0.1mm							
5	CONTACT CLIP	PBS STRIP	8	Ag CLAD	OVER: 1.5±0.2mm							
4	TERMINAL	BRASS STRIP	48	Ag PLATED OVER Ni PLATED	TITLE: VERTICAL SLIDE SWITCH		UNIT : mm		DRWG NO.: XJ-DR-SS85D01-00			
3	BASE	PHENOLIC RESIN	1	NATURAL	MODEL: SS-85D01		SCALE: 1 : 1		DWN	ZHOUYU	2003-8-11	
2	FRAME	STEEL STRIP	1	Ni PLATED	ALL MATERIALS MUST BE COMPLIANT TO ROHS				CHK'D	FANGYING	2003-8-11	
1	KNOB	POM	1	BLACK					APPD	KANGXINAN	2003-8-11	